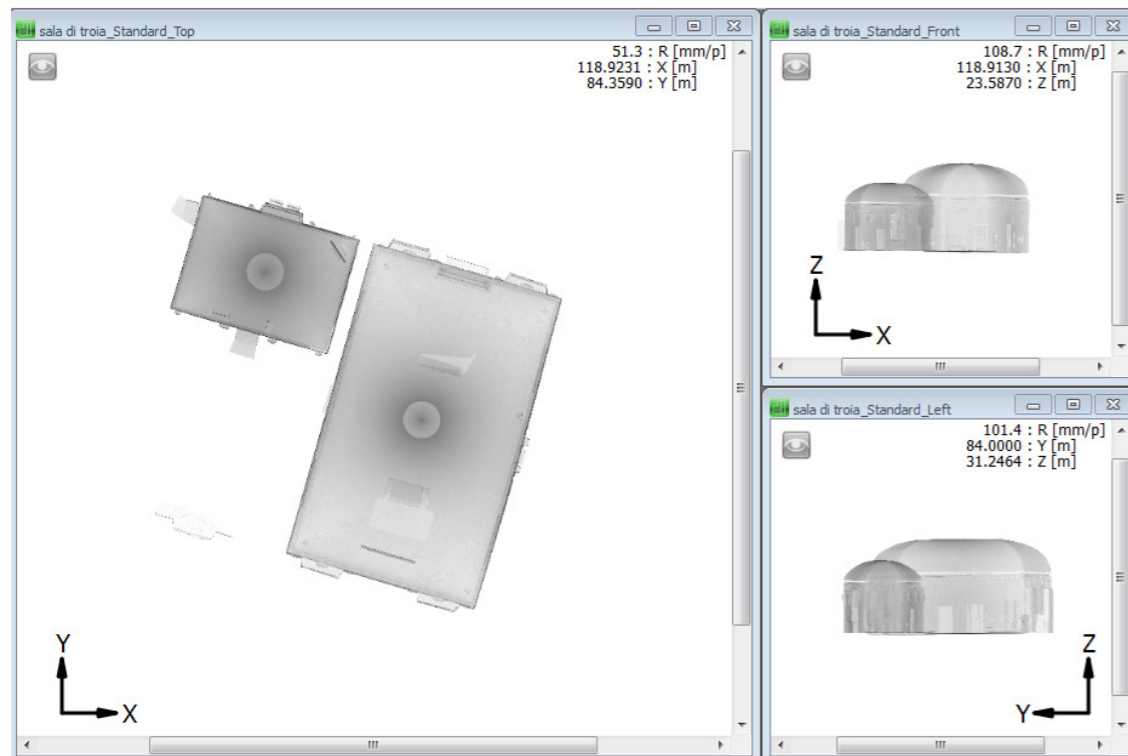


BIM FOR CULTURAL HERITAGE.

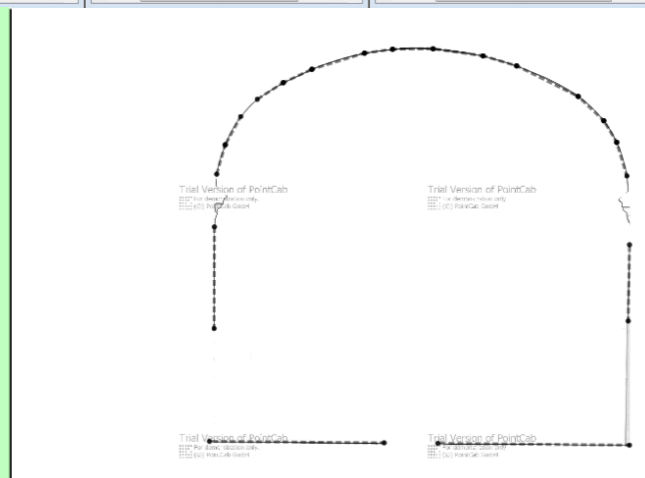
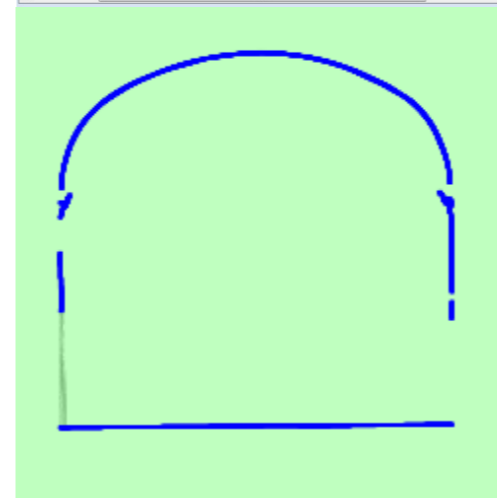
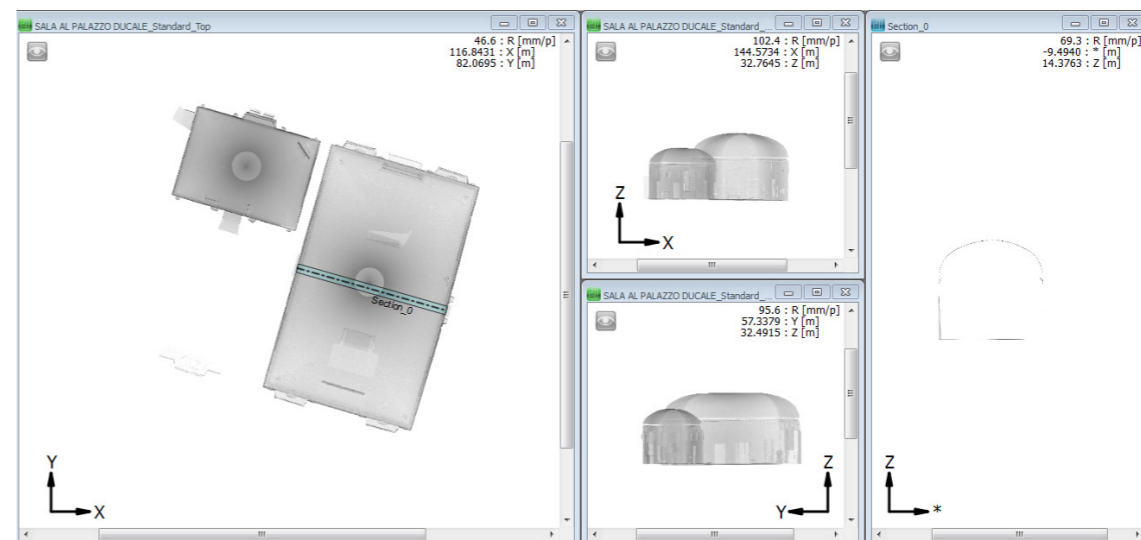
PointCab to Archicad + 4BIMm.

- This method offers production and creation of walls and building structures with precise accuracy in the shortest time possible.
- No need to import the point cloud on Archicad.



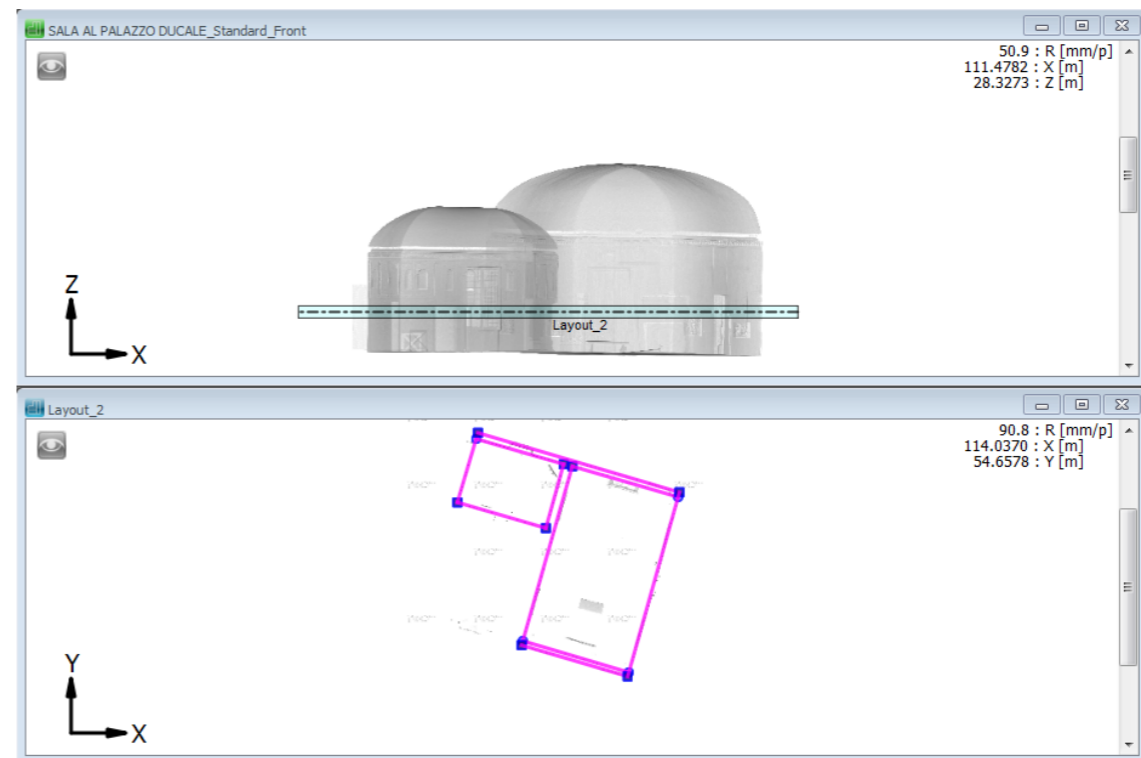
1.Importing the chambers from palazzo ducale on Point cab.

2.Open the corresponding .xyz files into PointCab and save as .pcp (an all supported file)

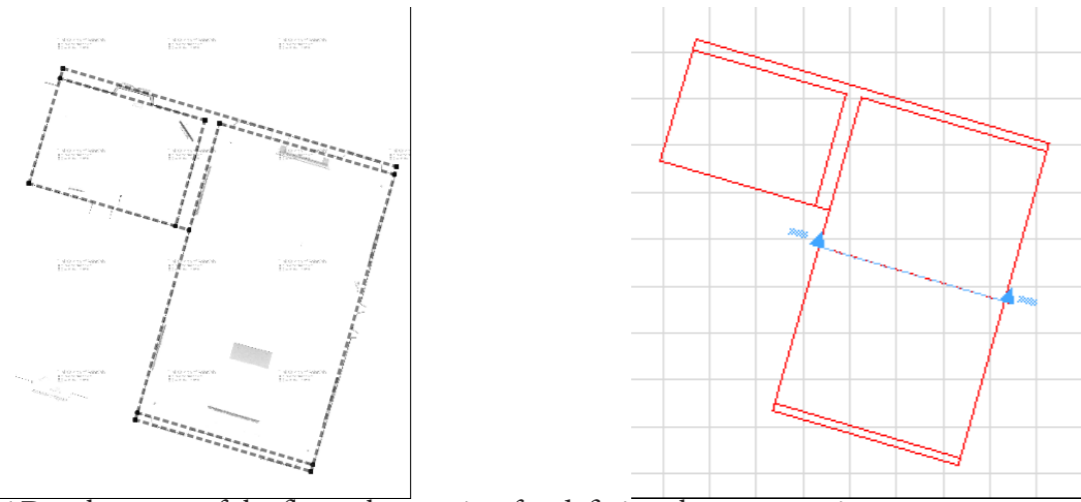


3.Creation of a section of the chamber to produce a section view.

4.A vector image of the section from the chamber.

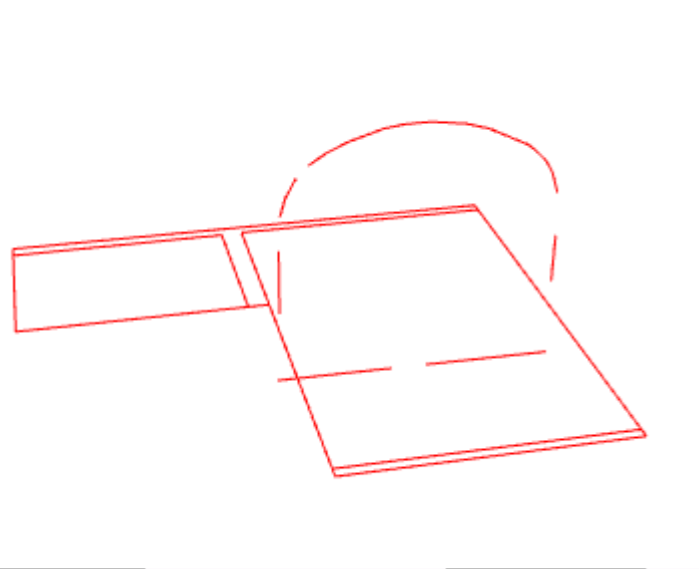


5.Development of the floor plan section for defining the vector points.

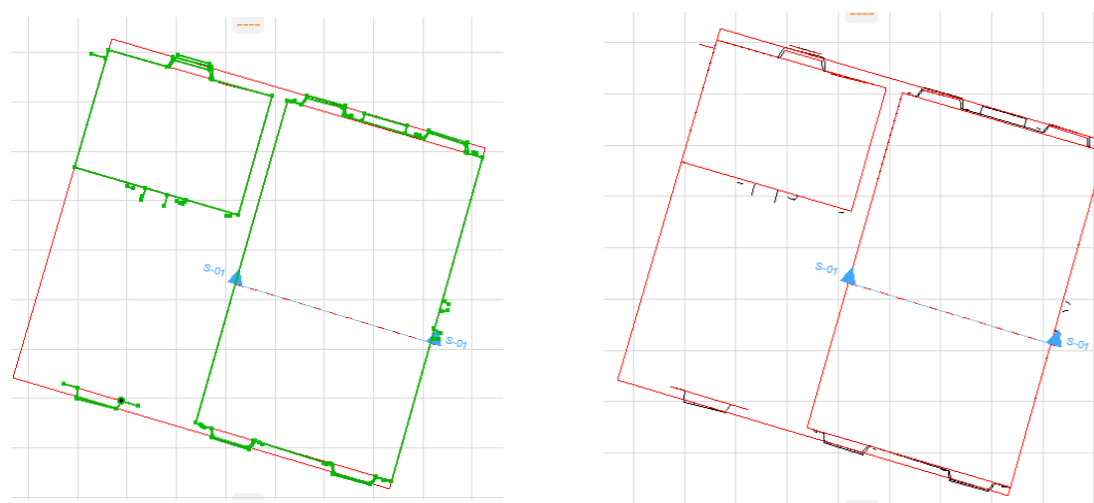


6. Development of the floor plan section for defining the vector points.

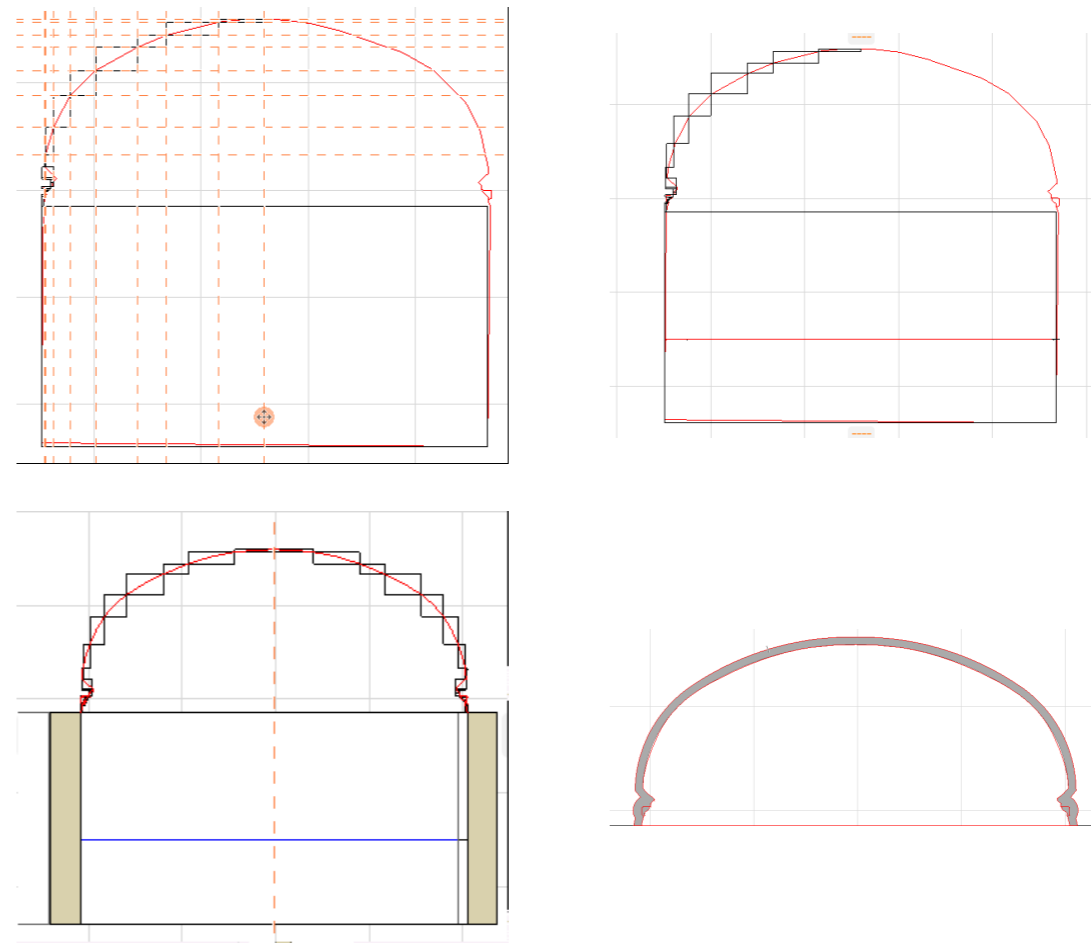
7. The final floor plan of the chambers plus merge of the corresponding vector works of the floor plan onto archicad likewise the section.



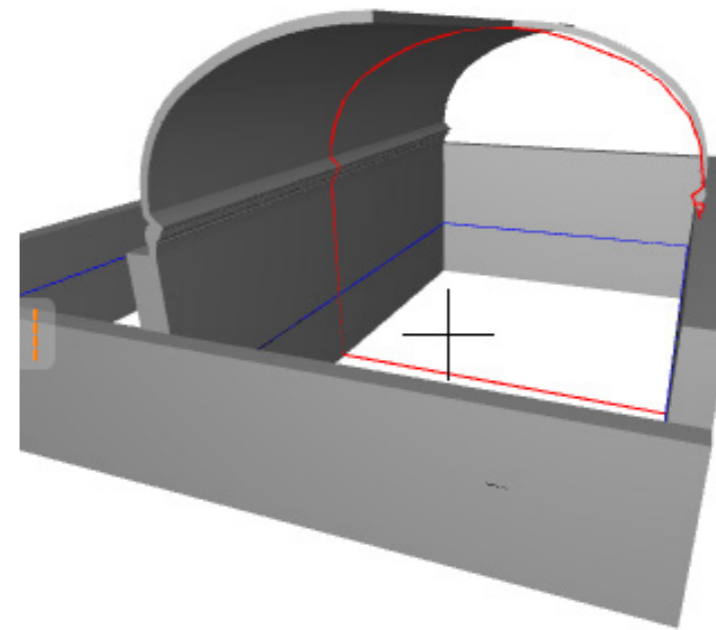
8. Archicad imports of the point cloud data : floor plan and section in 3d viewing.



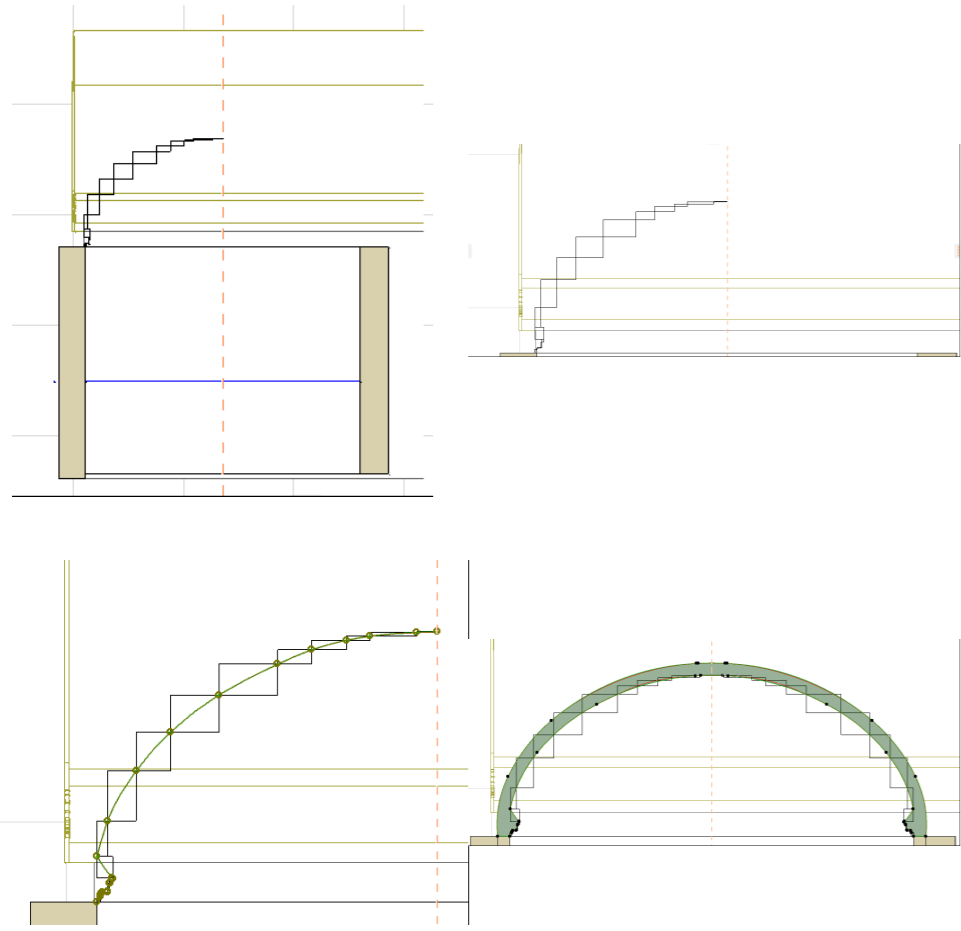
9. Defining the floor plan for wall input, windows and doors.



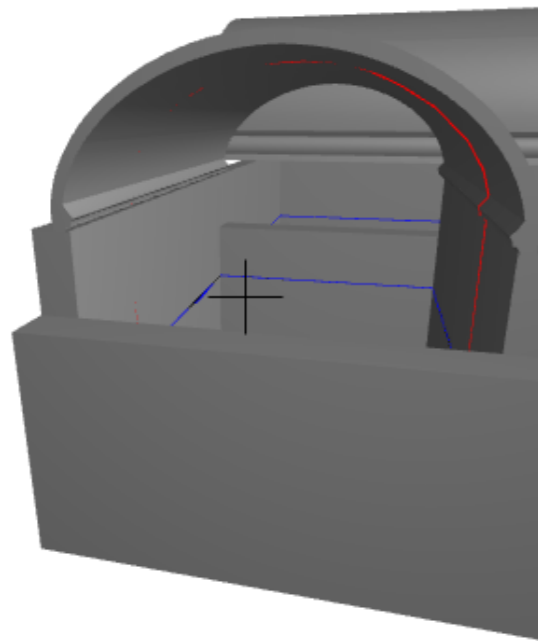
10a. Determining the most accurate points to define the vault structure regularly.



10b. The respective vault structure with estimated accuracy of the original chamber.



10c. Determining the most accurate points to define the vault structure regularly.



10d. The respective vault structure with estimated accuracy of the original chamber.

THE FINAL RESULT

